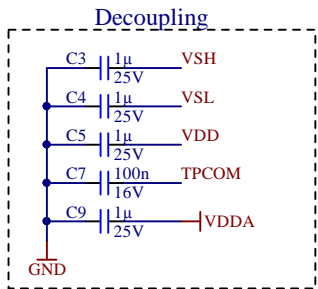
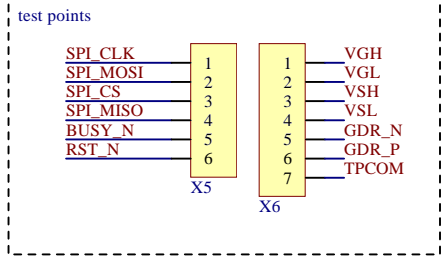
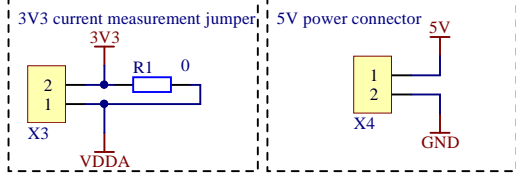
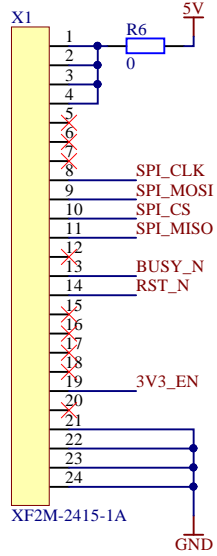
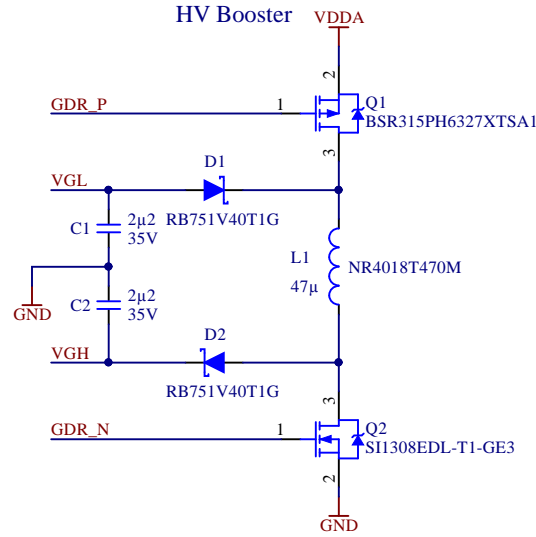


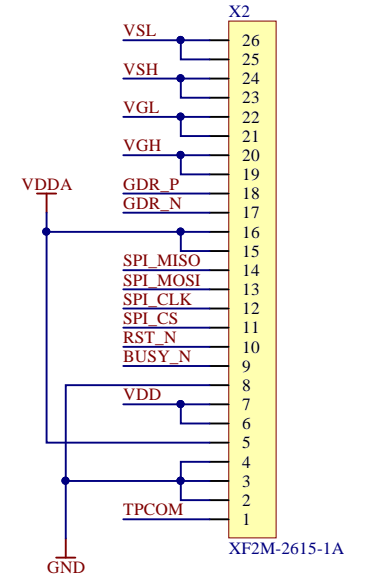
### Parrot Interface



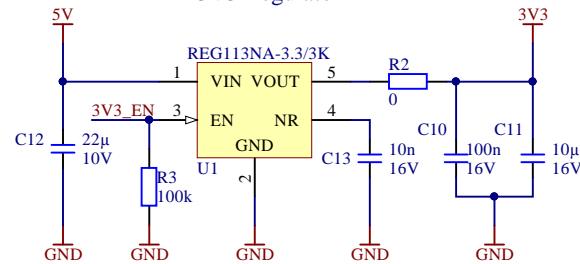
### HV Booster



### Display Connectors



### 3V3 Regulator



|  |                            |                               |                        |
|--|----------------------------|-------------------------------|------------------------|
| Revision   | Changes                    |                               |                        |
| 1  | - added jumper resistor R1 |                               |                        |
| <b>PLASTIC LOGIC</b><br>Plastic Logic GmbH<br>An der Bartlake 5<br>D-01109 Dresden |                            | Title: <b>Hummingbird 9.5</b> | Revision: 1            |
|  |                            | Author: MJ                    | Date: January 2017     |
| Confidential & Proprietary Technical Information                                   |                            | Sheet: 1 of 1                 | Product Number: 301032 |
|  |                            | Sheet Size: A4                |                        |